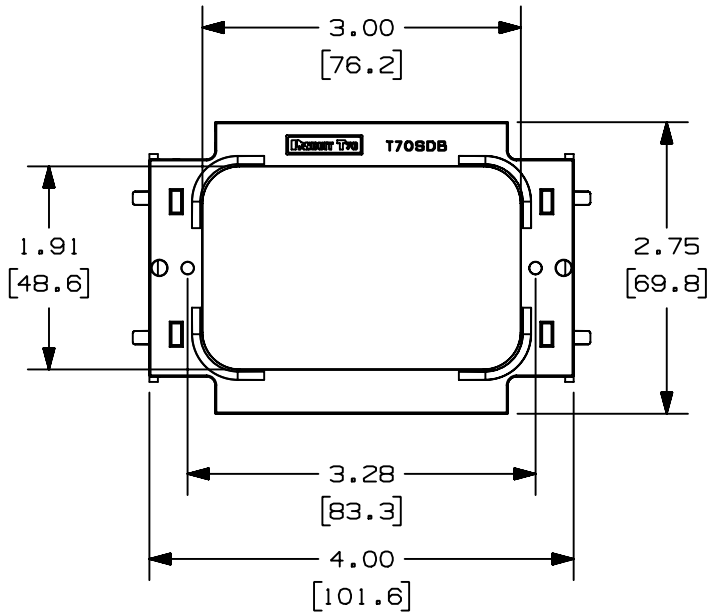


THIS COPY IS PROVIDED ON A RESTRICTED BASIS AND IS NOT TO BE USED IN ANY WAY DETRIMENTAL TO THE INTERESTS OF PANDUIT CORP.

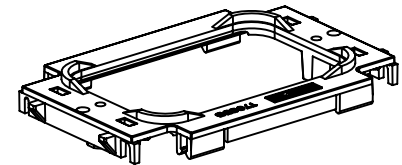
PANDUIT P/N	WEIGHT
T70SDB	.32 LB/10 PCS (147 g/10 PCS)



- NOTES:
1. SEE CURRENT CATALOG FOR ADDITIONAL PART SUFFIXES TO INDICATE COLOR AND OR PACKAGE QUANTITY.
  2. THIS PART IS DESIGNED FOR USE WITH T70, TG, CORNER AND PAN-POLE RACEWAYS.
  3. ACCEPTS PANDUIT SNAP-ON AND SCREW-ON STYLE FACEPLATES.
  4. DIMENSIONS IN PARENTHESES ARE IN METRIC.



LATCHES FOR ATTACHING TO RACEWAY BASE



CAD FILENAME/LAYERS D38697BA\_DC\_T70SDB\_05A.prt

PANDUIT CORP. TINLEY PARK, ILLINOIS

SNAP-ON DEVICE BRACKET  
(T70SDB)  
CUSTOMER DRAWING

UNLESS OTHERWISE SPECIFIED,  
DIMENSIONAL TOLERANCES ARE:  
(.X) ± (.XXX) ±  
(.XX) ±.03 (.8) ANGLES ±

UNLESS OTHERWISE SPECIFIED,  
ALL DIMENSIONS ARE GIVEN  
IN INCHES, THIRD ANGLE PROJECTION.

REV	DATE	BY	CHK	DESCRIPTION	ECN	CHK	CUST	SUP
I	01-28-04	JBN	RMHI	A. REVISED GEOMETRY / PART WEIGHT	38697-03	RGRO	RGRO	
R	11-12-03	JHEP	RMHI	RELEASED TO PRODUCTION	38697-03	RGRO	RGRO	

DRAWN BY  
JHEP  
DATE  
11-12-03  
CHECKED BY  
RMHI

MAT'L:  
PVC

SCALE  
NONE

DRAWING NO.  
38697-03

DWG  
A  
SIZE